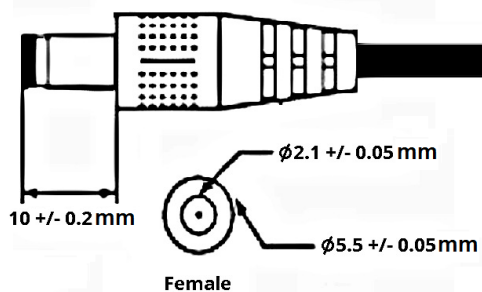


Glitel GAP050

Switching adapter with overvoltage protection



Specification

Overvoltage protection Glitel GAP050 type of SPD T3 with switching direct-current adapter 12V/2A is used for protecting electrical and electronical devices against impulse overvoltage from electrical network 230V/50Hz (TNS, TNC, electrical socket type E, F) and also for protection of telecommunication devices connected to analog telephone line against impulse overvoltage from telecommunication line. Solution of Glitel GAP050 does not influence DSL transfer data speed to 100Mbps.

Parametres

- Electrical part protection

Type of SPD	T3
Nominal voltage	Un 230V AC
Maximum operating voltage	Uc 275V AC
Nominal discharge current (8/20 μs) L-N	In 3kA
Nominal discharge current (8/20 μs) N-PE	In 3kA
Test voltage L-N	Uoc 6kV
Test voltage N-PE	Uoc 6kV
Maximum overcurrent protection	C 15A
Response time L-N	ta 25ns
Response time N-PE	ta 100ns

- Indication of electrical part protection

In use	Orange LED light
Fail status	Orange LED does not light

- Mounting

	Plug in adapter type E, F
--	---------------------------

- Protection of DSL / telephone line

Maximum operating voltage	Uc 240V DC
Nominal load current	IL 0,2A
Test voltage line a – line b	Uoc 6kV
Test voltage line (a,b) – PE	Uoc 6kV
C2 nominal discharge current (8/20 μs) line a – line b	In 2,5kA
C2 voltage protection level line a – line b by In	Up 500V
C2 voltage protection level line (a,b) – PE by In	Up 500V
Response time line a – line b	ta 1ns
Response time line (a,b)- PE	ta 100ns
Serial line resistance (a,b)	R 4,7Ω
Limit frequency between line a – line b	f 40MHz
Connection (IN - OUT)	RJ11, pin 3,4
Attenuation	0,6dB

- DSL / telephone line data transfer

	up to 100Mbps without influence
--	---------------------------------

- Switching direct-current adapter

Output voltage	DC 12V
Output current	DC 2A
Insulation	Double insulation
During pulse Uoc 6 kV to the electrical part the residual voltage on the DC connector is	max 40V
DC connector	5.5mm OD, 2.1mm ID, 10mm length

- Indication of switching adapter functionality

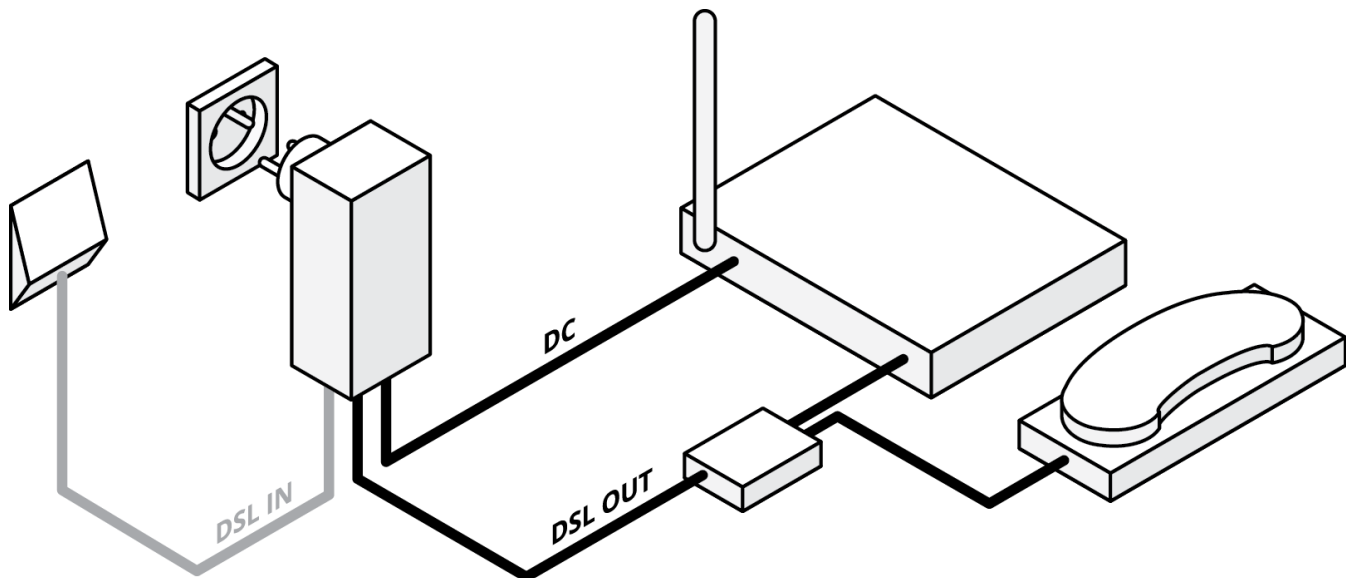
In use	Green LED light
Fail status	Green LED does not light

- Degree of protection

	IP20
--	------
- Range of operation temperatures

	-40°C ... +70°C
--	-----------------

Example of use



Package

- 1x Switching adapter with overvoltage protection Glitel GAP050
- 1x RJ11 cable black 2m
- 1x RJ11 cable grey 3m
- 1x Safety instructions